



# ClearAccent

## RS061B LED5-36-/830 PSR II WH

36 ° - 830 warm white - Power supply unit regulating - Safety class II  
 - White

ClearAccent is an entry-level recessed spot range designed to replace halogen-based luminaires. Its attractive price and high lumen per watt ratio make the decision to switch to LED an easy one. The luminaire's compact design, with built-in driver, is suitable for a wide variety of applications. The dimensions of the fixation hole meet the old halogen-based standard of 68 mm, which makes retrofitting possible. Thanks to the screw-in connectors, installation is easy and safe.

### Product data

| General Information           |                               | Operating and Electrical                 |                                   |
|-------------------------------|-------------------------------|--|-----------------------------------|
| Beam angle of light source    | 36 °                          | Glow-wire test                           | Temperature 650 °C, duration 30 s |
| Light source color            | 830 warm white                | Flammability mark                        | -                                 |
| Cap-Base                      | - [-]                         | CE mark                                  | CE mark                           |
| Light source replaceable      | No                            | ENEC mark                                | -                                 |
| Number of gear units          | -                             | UL mark                                  | -                                 |
| Gear                          | -                             | Warranty period                          | 3 years                           |
| Driver/power unit/transformer | Power supply unit regulating  | Constant light output                    | No                                |
| Driver included               | Yes                           | Number of products on MCB of 16 A type B | 48                                |
| Optic type                    | Symmetrical                   | RoHS mark                                | -                                 |
| Optical cover/lens type       | Clear flat                    |  |                                   |
| Luminaire light beam spread   | 36°                           | Input Voltage                            | 220-240 V                         |
| Control interface             | Analog                        | Input Frequency                          | 50 to 60 Hz                       |
| Connection                    | Screw connection block 3-pole | Control signal voltage                   | -                                 |
| Cable                         | -                             | Inrush current                           | 2 A                               |
| Protection class IEC          | Safety class II               | Inrush time                              | 82 ms                             |

|                    |     |
|--------------------|-----|
| Power Factor (Min) | 0.9 |
|--------------------|-----|

## Controls and Dimming

|          |     |
|----------|-----|
| Dimmable | Yes |
|----------|-----|

## Mechanical and Housing

|                             |                               |
|-----------------------------|-------------------------------|
| Housing Material            | Aluminum die-cast             |
| Reflector material          | Polycarbonate aluminum coated |
| Optic material              | Polycarbonate                 |
| Optical cover/lens material | Polycarbonate                 |
| Fixation material           | -                             |
| Optical cover/lens finish   | Clear                         |
| Overall height              | 55 mm                         |
| Overall diameter            | 80 mm                         |

## Approval and Application

|                              |                          |
|------------------------------|--------------------------|
| Ingress protection code      | IP20 [ Finger-protected] |
| Mech. impact protection code | IK02 [ 0.2 J standard]   |

## Initial Performance (IEC Compliant)

|                                     |                      |
|-------------------------------------|----------------------|
| Initial luminous flux (system flux) | 500 lm               |
| Luminous flux tolerance             | +/-10%               |
| Initial LED luminaire efficacy      | 83 lm/W              |
| Init. Corr. Color Temperature       | 3000 K               |
| Init. Color Rendering Index         | ≥80                  |
| Initial chromaticity                | (0.43, 0.40) SDCM <3 |
| Initial input power                 | 6 W                  |

|                             |        |
|-----------------------------|--------|
| Power consumption tolerance | +/-10% |
|-----------------------------|--------|

## Over Time Performance (IEC Compliant)

|                               |         |
|-------------------------------|---------|
| Driver failure rate at 5000 h | 1.5 %   |
| Median useful life L70B50     | 25000 h |
| Median useful life L80B50     | 20000 h |
| Median useful life L90B50     | 15000 h |

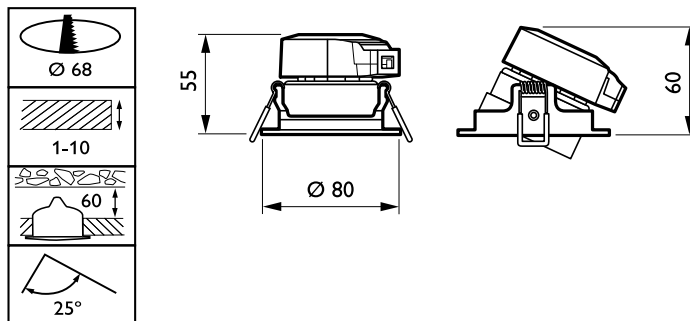
## Application Conditions

|                               |                              |
|-------------------------------|------------------------------|
| Ambient temperature range     | 0 to +40 °C                  |
| Average ambient temperature   | 25 °C                        |
| Maximum dim level             | 10% (depends on dimmer, ELV) |
| Suitable for random switching | No                           |

## Product Data

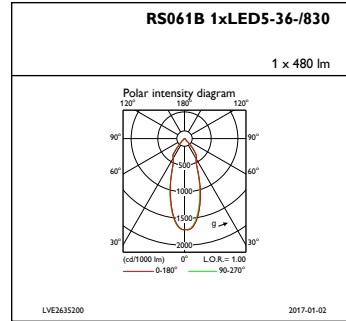
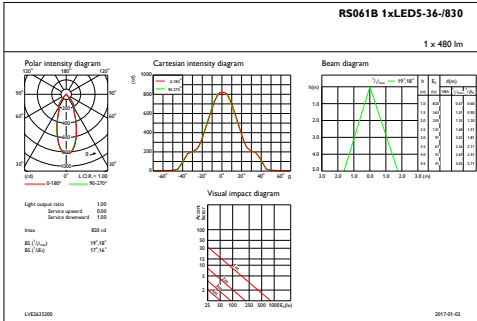
|                                 |                               |
|---------------------------------|-------------------------------|
| Full product code               | 871869607269199               |
| Order product name              | RS061B LED5-36-/830 PSR II WH |
| EAN/UPC - Product               | 8718696072691                 |
| Order code                      | 910503910184                  |
| Numerator - Quantity Per Pack   | 1                             |
| Numerator - Packs per outer box | 24                            |
| Material Nr. (12NC)             | 910503910184                  |
| Net Weight (Piece)              | 0.110 kg                      |

## Dimensional drawing



ClearAccent RS060B

Photometric data



IFAS1\_RS061B1xLED5-36-830

IFPC1\_RS061B1xLED5-36-830

