

O&M

Qudo - Charging Station Black

22kW 0-32A/1+3Fas Type2 RFID

Art nr.: Q123 || El.nr.: 66 110 00

QUDO is an App free charging station, easy to use and suitable for everybody and all cars. Set it to the desired charging current from 0-32A, charging power up to 22kW, QUDO automatically detects distribution network at both 1Fas/3Fas, integrated area lighting with photocell, integrated RFID reader, unique one-handed operation, and a slim design. QUDO offers easy control with the touch button in front of the charging station for the desired power, and for scheduled charging sessions. Type 2 outlet is located at the lower right side; hence the charging cable does not protrude from the wall when in use. The lid is easily tilted up with the same hand that holds the plug thus insuring a smooth operation. The product is designed and developed in Norway. Patent pending.

- + - **RFID Area:** The integrated RFID reader enables access control of locking or unlocking the charging cable with QUDO ID card. You could also change charge mode with QUDO mode card.
- + - **Daylight sensor:** Automatically adjust the indicator brightness and control the area light ON/OFF.
- + - **Power light bar:** The light bar is used to display charging power percentage and the status of QUDO.
- + - **Delay light bar:** The light bar is used to display delay time and the status of QUDO.
- + - **Touch button:** With the touch button it is possible to set the charging power (25%/50%/75%/100%,Min.6A) and delay charging time. It is also used to control the Area light.
- + - **Area light:** For great night time visibility.
- + - **Type 2 socket:** The type 2 socket is completely universal and allows you to charge any type of electric vehicle using the appropriate charging cable.

Operation and Maintenance

QUDO is almost maintenance-free, and no cleaning or other maintenance is required for it to function correctly. Cover and plastic can be cleaned with mild soap water and a damp cloth. Please avoid using harsh chemicals that can degrade the surface of the product.

Note: Check that the car supports the IT 3 phase distribution network before commissioning. If the car does not support IT 3 phase use only 1 phase connection.

Technical service

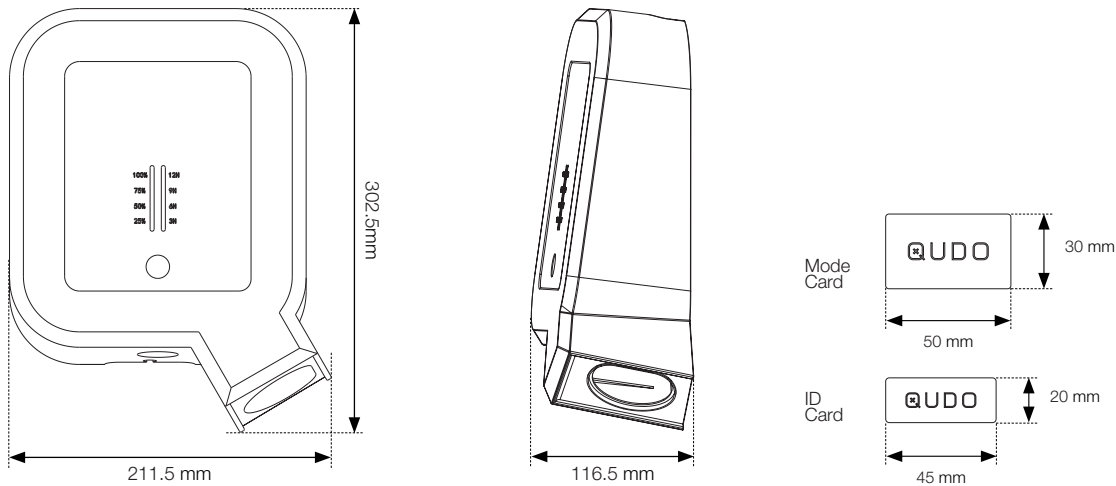
In the event of an error, QUDO will communicate via the light bars. All error messages and solutions will be described in the User Manual.

Guarantee

QUDO comes with a standard 5-year warranty under Norwegian law, and we guarantee that the product will function optimally during this period. QUDO is not responsible for errors caused by accidents, user errors, surges or usage that are contrary to our Installation and User Manual.



DIMENSION



PRODUCT SPECIFICATIONS

Dimensions (mm)	H: 302.5 x W: 211.5 x D: 116.5
Weight	2.2 kg
Installation circuit	Max. 40A fuse on installation circuit for charging stations. The charging station must be protected by a max. 40A Type A 30mA RCD circuit breaker.
Installation network, Voltages	TN, IT and TT 230VAC ± 10% 400VAC ± 10% 50/60 Hz
Max. current and charging output	22kW at 32A/3-phase (TN networks) 12.7kW at 32A/3-phase (IT networks) 7.4kW at 32A/1-phase IT/TN
Charging socket	IEC 62196-2 Type 2 Female Electronic lock, can be permanently locked by user
Earth fault protection	Built-in RCD for ground fault protection (30 mA AC/6 mA DC) according to EN 61008-1 and IEC 62955 Electronic, automatic reset by replugging Type 2 cable
Standards and approvals	CE compliance in accordance with IEC 61851-1:2017 and IEC 62955, and the Radio Equipment Directive 2014/53/EU and ROHS Directive 2011/65/EU
Operating Temperature	-30°C to 50°C
Storage Temperature	-40°C to 85°C
Degree of protection	IP54 (IP22 without cover)
IK Rating	IK08
UL Rating	UL94 5VA flammability rating
UV Resistance	YES
Electrical protection	Protection class II (4kV AC and 6kV impulse, insulation) Overvoltage category III (4kV)
Means of Disconnect	External branch circuit breaker
Terminal Blocks	Single Cable: 2.5-16mm ² , copper only Parallel Connection: 2.5-10 mm ² , copper only



Kristiansand
Norway

hello@qudo.no
www.qudo.no

*This document contains information that is subject to change without notice, the latest revision can at any time be downloaded at www.qudo.no