

SEANO™
2P+E Green up socket - Schuko standard

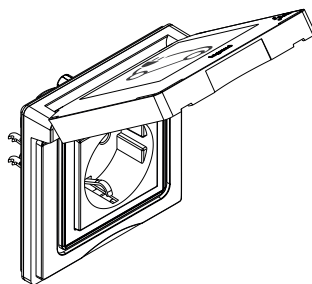
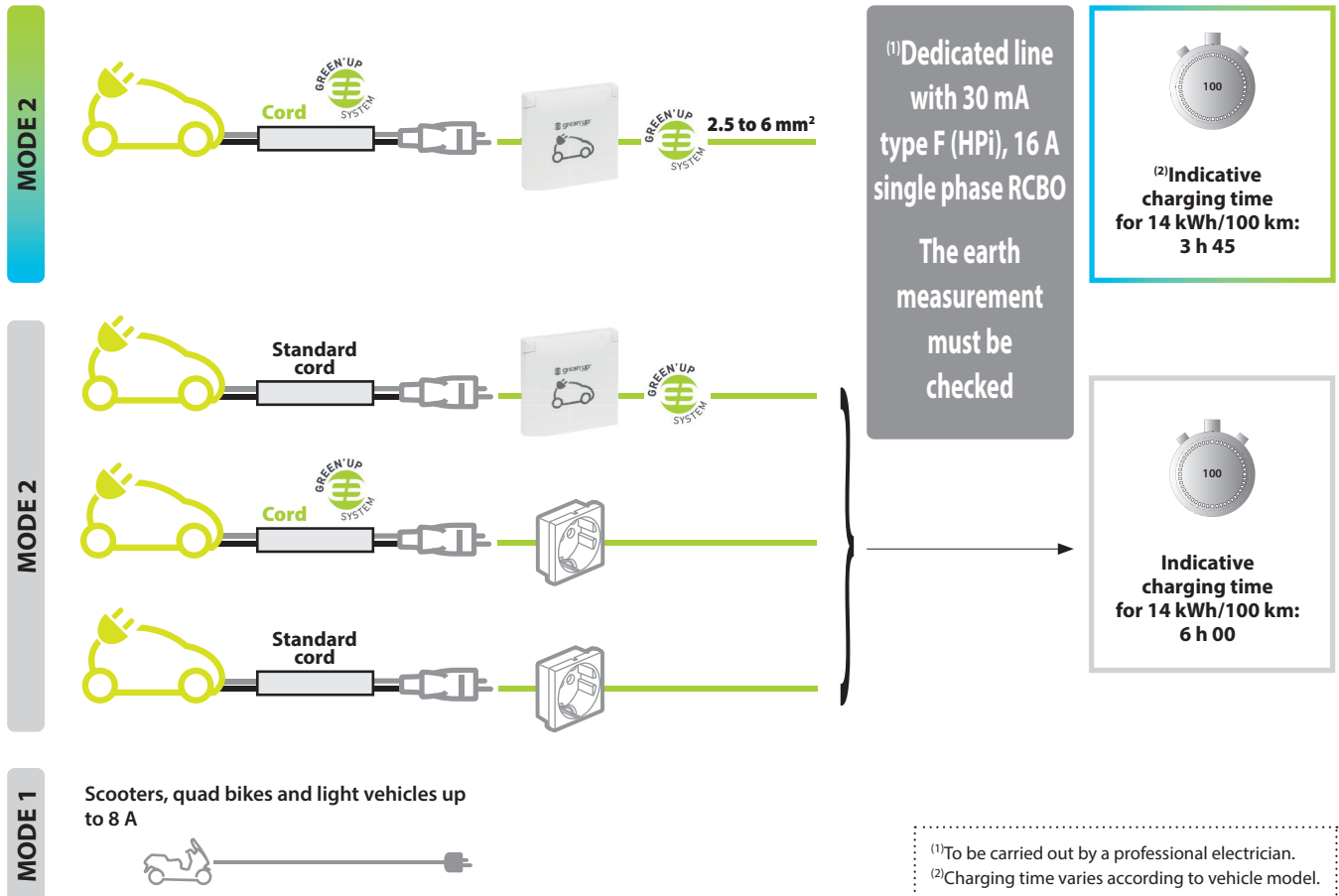
Catalogue number(s): 7 652 17

VEHICLE MANUFACTURER DETAILS

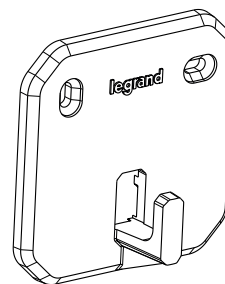
INSTALLER DETAILS



Check with your vehicle manufacturer for availability of a charging cable compatible with the Green'up system.



7 652 17



0 694 94L

2P+E Green up socket - Schuko standard

1. USE

3.7 kW, modes 1 and 2, 2 P+E, 16 A, 230 V, Green up socket - Schuko standard with safety shutters.

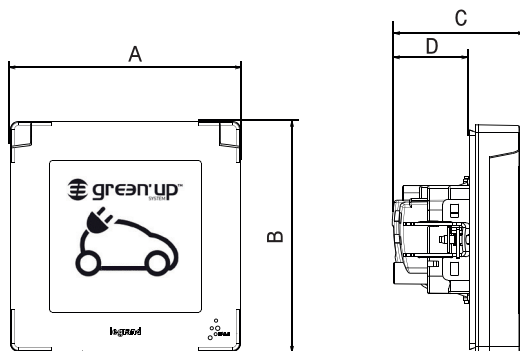
- For safe charging of electric vehicles supplied in modes 1 and 2 (charging on a domestic socket).
- Cost-effective, safe 2 P+E socket certified for all electric vehicles (mode 1 and mode 2). Equipped with optimised connection terminals, metal contacts with silver surface treatment (5 µm). Equipped with Green'up System, a Legrand technology.
- Patented Green'up System: the EV detects the secure Green'up Access infrastructure and selects the maximum power that can be supplied via the socket (reduced charging time).
- Suitable for private houses and workplaces.
- It is connected from the electrical panel via a dedicated line (1 line per socket) with protection via a 30 mA - 16 A type F (HPI) RCBO.

2. RANGE

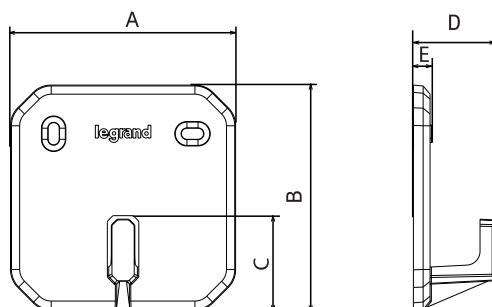
| Description | Cat. No. |
|--|-----------|
| 2P+E GREEN UP SOCKET SCHUKO STANDARD AUTO TERMINALS | 7 652 17 |
| SAFETY PLATE FOR ELECTRIC CAR AND BIKE CHARGING CORD | 0 694 94L |

3. DIMENSIONS (mm)

7 652 17



0 694 94L



| Cat. Nos | A | B | C | D | E |
|-----------|------|------|------|------|---|
| 7 652 17 | 86 | 86 | 48,7 | 28,4 | - |
| 0 694 94L | 81,1 | 81,1 | 29 | 34 | 6 |

4. CONNECTION

Pillar terminals supplied open, with screws locked in unscrewed position
 Min. capacity: 1 x 1.5 mm²
 Max. capacity: 1 x 6 mm² rigid or equivalent
 Screwdriver: Flat, 3.5 to 5 mm
 Phillips No. 1

Caution:

Install the RCBO separate from the other products in the cabinet to ensure the correct operation of the system.

5. TECHNICAL FEATURES

■ 5.1 Mechanical features

180° opening capacity of the cover

Impact tests: IK 04

Penetration against solid bodies and liquids: IP 44

■ 5.2 Materials

Plates: ABS

Shutter for plate: PC

Mechanism: polycarbonate, colour grey RAL 7016

Cover fixing screws: stainless steel

UV resistant

Halogen free

Self-extinguishing:

850°C/30 s for insulating components holding live parts in place.

650°C for other insulating components.

■ 5.3 Climate features

Usage temperature: -5°C to +40°C

Storage temperature: - 10° C to + 70°C

■ 5.4 Electrical features

Voltage: 230 V~

Power: 3.7 kW

Current: 16 A

Frequency: 50/60 Hz

For safe charging of electric vehicles supplied in modes 1 and 2 (charging on a domestic socket).

Please note:

Your installer will advise you on the most suitable electricity supply tariffs for charging your vehicle.

Always unplug the socket before starting the vehicle.

Only the cables supplied with the vehicle are authorised for use with the EV sockets.

Use of extension cables or adapters is prohibited.

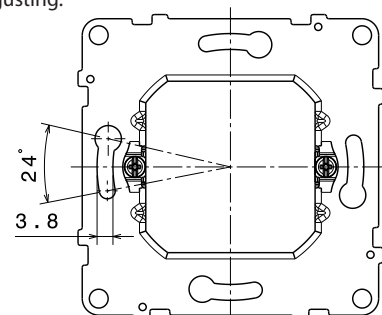
The EVSE box must be suspended.

Use of a voltage surge protector is recommended.

■ 5.5 Support

Material of support: -Metal

Angular adjusting:



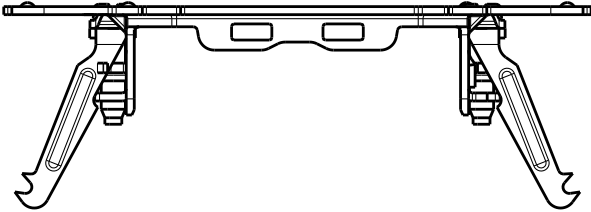
2P+E Green up socket - Schuko standard

5. TECHNICAL FEATURES (continued)

■ 5.6 Fixing with claws

Number of turns to open the claws:

- 58 mm > 2,1 turns
- 65 mm > 2,75 turns



6. MAINTENANCE

Surface cleaning with a cloth. Do not use: acetone, tar remover, trichloroethylene.

6.1 Resistance to the following cleaning substances

- Hexane (EN 60669-1),
- Methylated spirit,
- Soapy water,
- Diluted ammonia,
- Diluted pure bleach 10%,
- Glass cleaning product,
- Pre-impregnated wipes.

Caution:

Always test before using special cleaning products.

7. SPECIAL USE

The plates must not be painted.

8. STANDARDS AND APPROVALS

Compliant with installation and manufacturing standards.

See e. catalogue.

Complies with the standard IEC 60884-1 (classification "for High-load 16 A")