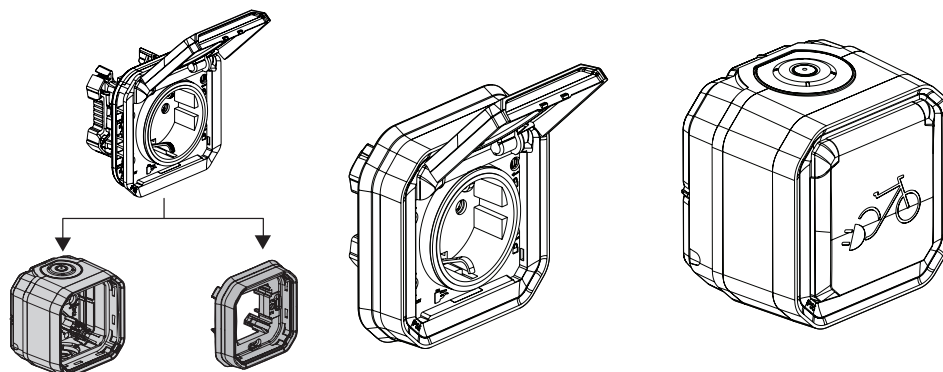


**Plexo™**  
**2P+E Schuko socket outlets -**  
**E-bike charging**

Cat. No(s): 0 697 84L  
 0 698 86L



**1. USE**

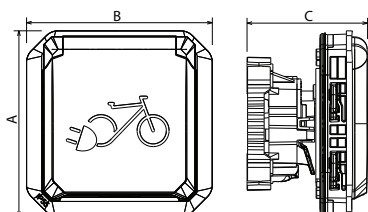
Weatherproof wiring accessory system for residential and professional plant rooms (garages, cellars, car parks, industrial workshops and kitchens) as well as outdoor environments (terraces, gardens, camp sites, etc).  
 Socket outlets with protection eclips.  
 Socket outlets tamperproof version designed to e-bike charging.

**2. RANGE**

		References
Configurable		0 698 86L
Flush-mounting complete		0 697 84L

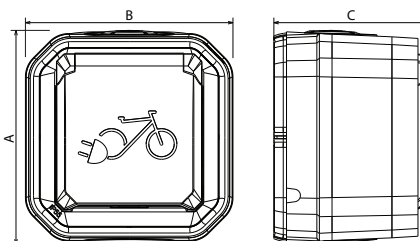
**3. OVERALL DIMENSIONS (mm)**

■ Configurable



**3. OVERALL DIMENSIONS (mm) (continued)**

■ Flush-mounting



	A	B	C
Configurable	70.5	70.5	45.75
Flush-mounting	84.5	82	61.55

**4. CONNECTION**

Type of terminals: automatic  
 Terminal capacity: 1.5 mm<sup>2</sup> - 2.5 mm<sup>2</sup> (1 or 2 conductors)  
 Stripping length: 12 mm

**5. TECHNICAL CHARACTERISTICS**

■ 5.1 Protection index

Protection against solid bodies and liquids: IP 55  
 Protection against impact: IK 08

■ 5.2 Material characteristics

Box, support: PP reinforced  
 Front plate, flap: ABS  
 Entry gland, cover plate: PP + SEBS  
 Mechanism: PC  
 UV-resistant  
 Halogen-free  
 Resistance to salt spray: 7 days (168 h)  
 Self-extinguishing:  
 850°C/30 s for insulating components holding live parts in place.  
 650°C/30 s for other insulating components.

## 5. TECHNICAL CHARACTERISTICS *(continued)*

### ■ 5.3 Electrical characteristics

Voltage: 250 V~

Current: 16 A

Frequency: 50 Hz

### ■ 5.4 Climate characteristics

Usage temperature: - 10° à + 40° C

Storage temperature: - 25° C à + 60° C

## 6. CLEANING

Surface cleaning with a cloth.

Do not use: acetone, tar remover, trichloroethylene.

Maintenance with the following products: Hexane (EN 60669-1), Methylated spirit, Soapy water, Diluted ammonia, Bleach diluted to 10%, Window-cleaning products, Pre-saturated wipes.

**Caution:** A preliminary test should be carried out if other specific cleaning products are to be used.

## 7. STANDARDS AND APPROVALS

Compliance with standards of installation and manufacturing.

Refer to e. catalogue.