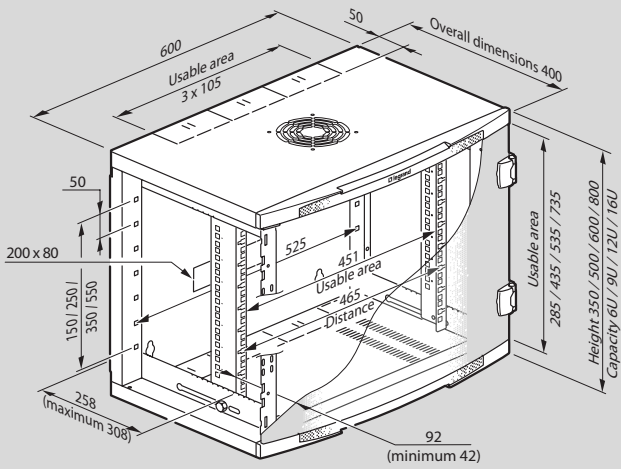


Legrand cabling system LCS²

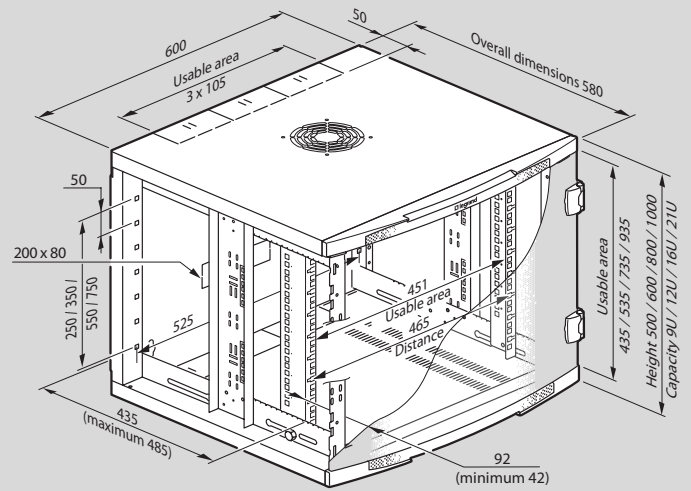
19" and 10" LCS² wall-mounting cabinets

Useable dimensions (mm)

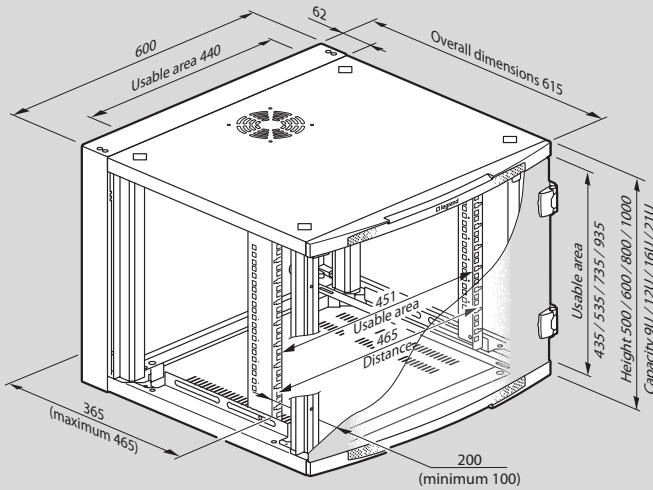
Fixed 19" LCS² cabinets depth 400 mm



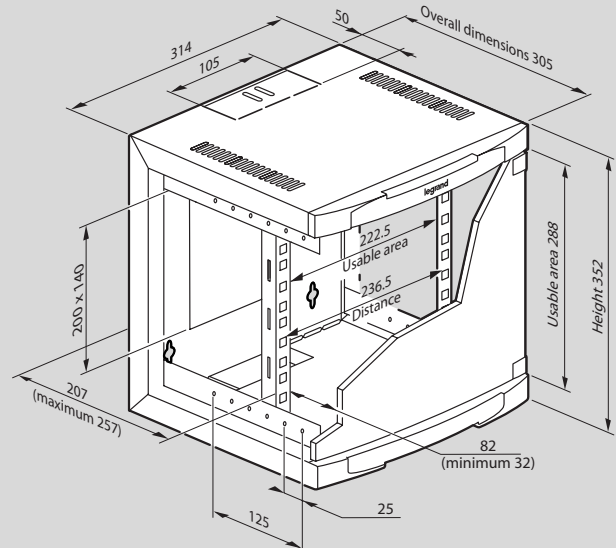
Fixed 19" LCS² cabinets depth 580 mm



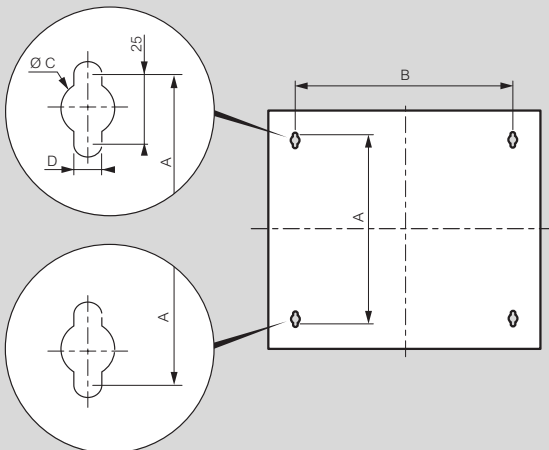
Pivoting 19" LCS² cabinets depth 600 mm



10" LCS² cabinet depth 300 mm



Fixing of cabinets (mm)



	Capacity	A	B	C	D
Fixed 19" cabinets	6 U	275	408	20	11
	9 U	425			
	12 U	525			
	16 U	725			
	21 U	925			
19" pivoting cabinets	9 U	425	500	18	9
	12 U	525			
	16 U	725			
10" cabinets	6 U	275	250	15	6.5

Weight (kg)

	Cat.Nos	Weight
Fixed 19" cabinets	0 462 00	16.7
	0 462 01	20.4
	0 462 02	22.8
	0 462 03	26
	0 462 06	25.7
	0 462 07	32.7
	0 462 08	41.5
	0 462 09	52.5
	0 462 11	31.8
19" pivoting cabinets	0 462 12	40
	0 462 13	47.3
	0 462 14	59
10" cabinet	0 462 20	8