

# Legrand cabling system LCS<sup>2</sup>

## 19" and 10" LCS<sup>2</sup> wall-mounting cabinets

### General characteristics

Metallic wall-mounting cabinets  
 RAL 7016 textured polyester coating providing excellent resistance to corrosion and scratching  
 Front safety glass door  
 Protection index (weatherproof) against solid objects and liquids: IP 20  
 Protection index against mechanical shocks: IK 08  
 Perforations in uprights: 9.5 x 9.5 mm  
 Permissible load: 3 kg/U (or 48 kg for a 19" cabinet 16 U)  
 12 kg for the 10" cabinet 6 U

### Compliance with standards

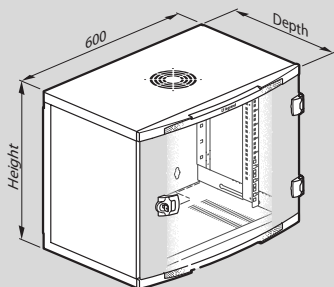
LCS<sup>2</sup> cabinets comply with the following standards:

<b>IEC 60529</b> <b>EN 60529</b>	(NF C 20-010) Degrees of protection provided by enclosures (IP code).
<b>IEC 62262</b> <b>EN 62262</b>	(EN 50102, NF C 20-015) Degrees of protection provided by enclosures of electrical material against external mechanical impacts (IK code).
<b>IEC 60950-1</b> <b>EN 60950-1</b> <b>C 77-210-1</b>	Safety of data processing equipment.
<b>EIA-310-E</b>	Cabinets, enclosures, panels and associated equipment (ANSI / EIA / 310-E-2005).
<b>IEC 60297-3-100</b> <b>DIN 41414-7</b>	(NF C 20-150, NF C 20-151) Sizes of mechanical structures of the 482.6 mm (19 in) series

LCS<sup>2</sup> cabinets can be integrated into installations complying with the following standards:

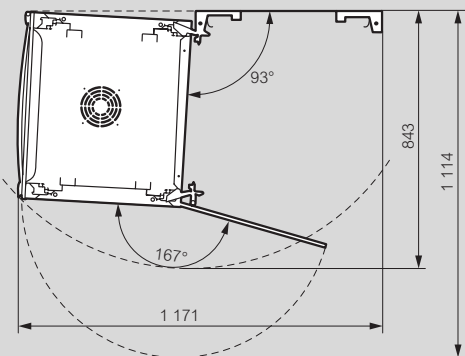
<b>EN 50173-1</b>	Information technology - Generic cabling systems.
<b>EN 50174-1 &amp; 2</b> <b>C 90-480-1 &amp; 2</b>	Information technology - Cabling installation.
<b>ISO IEC 11801</b>	Information technology - Generic cabling for customer premises
<b>NF C 15-100</b> <b>Part 4-41</b>	Low voltage electrical installations - Recommendations.
<b>UTE C90-483</b>	Residential cabling for communication networks
<b>IEC 60364-4-41</b>	Low voltage electrical installations - Protection for safety - Protection against electric shock

### Overall dimensions (mm)

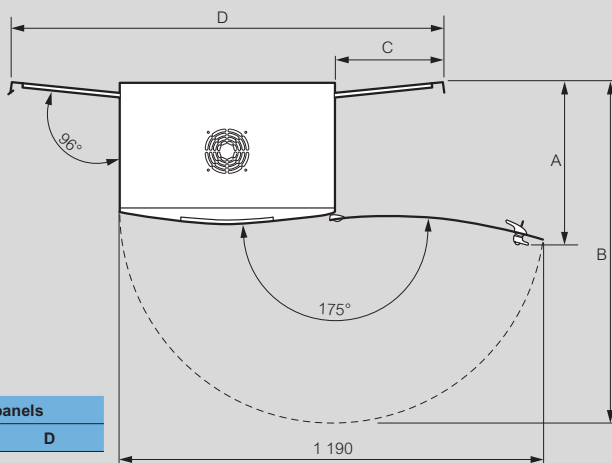


	Cat.Nos	Capacity	Height	Width	Depth
<b>Fixed 19" cabinets</b>	0 462 00	6 U	350	600	400
	0 462 01	9 U	500		
	0 462 02	12 U	600		
	0 462 03	16 U	800		
	0 462 06	9 U	500		580
	0 462 07	12 U	600		
	0 462 08	16 U	800		
	0 462 09	21 U	1000		
<b>19" pivoting cabinets</b>	0 462 11	9 U	500	600	615
	0 462 12	12 U	600		
	0 462 13	16 U	800		
	0 462 14	21 U	1000		
<b>10" cabinet</b>	0 462 20	6 U	352	314	300

### Pivoting bottom opening



### Front opening door and side panels



	Cat.Nos	Open doors		Open panels	
		A	B	C	D
<b>Fixed 19" cabinets</b>	0 462 00	400	962	305	1205
	0 462 01				
	0 462 02				
	0 462 03				
	0 462 06	580	1140	482.5	1565
	0 462 07				
	0 462 08				
	0 462 09				
<b>19" pivoting cabinets</b>	0 462 11	600	1179	482.5	1565
	0 462 12				
	0 462 13				
	0 462 14				

### 10" cabinet door opening Cat.No 0 462 20

