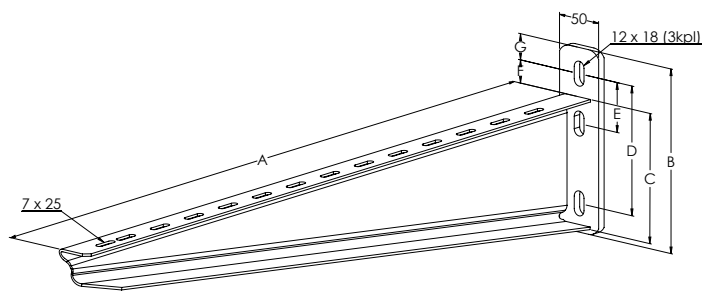
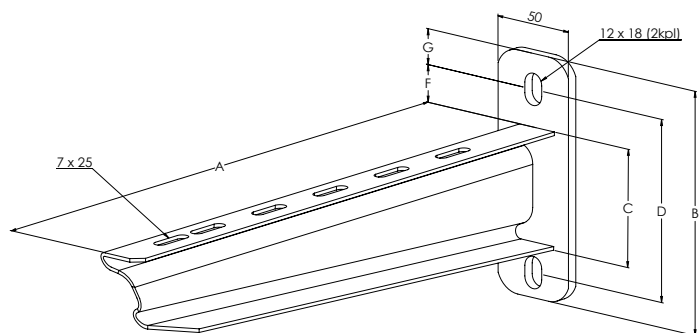
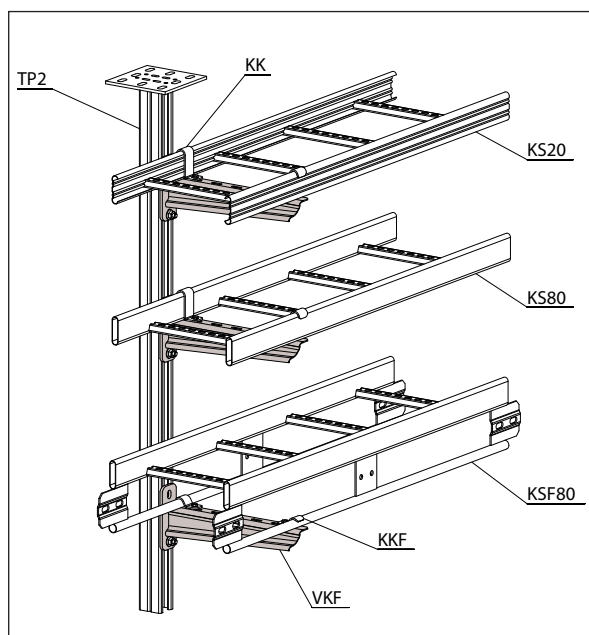


# WALL SUPPORT HST VKF 4KN

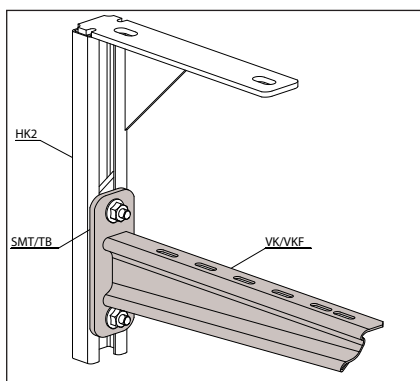


SNo.	Product	Paino kg / pcs	A mm	B mm	C mm	D mm	E mm	F mm	G mm
Acid-proof steel <b>AISI 316L</b> . Largest permitted load 400 kg/bracket.									
Corrosivity category <b>C1 - C5</b>									
1430172	HST VKF-200	0,82	240	136	57	102	-	20	20
1430173	HST VKF-300	1,03	340	136	63	102	-	20	20
1430174	HST VKF-400	1,29	440	155	69	118	-	21	21
1430175	HST VKF-500	1,46	540	155	75	118	-	21	21
1430176	HST VKF-600	2,36	640	155	80	118	-	21	21
1430177	HST VKF-700	2,74	740	185	130	50	50	24	24
1430178	HST VKF-800	3,34	840	205	150	50	50	24	24
1430179	HST VKF-900	3,98	940	210	160	50	50	24	24
1430180	HST VKF-1000	4,70	1040	225	170	50	50	24	24
<i>Product sold in packs of 10.</i>									



## Ceiling support

The wall support VKF is attached to the ceiling support TP2 with a sliding nut or SMT, or with the anchor rail nut AKM or with the T-screw TB.



## Ceiling support

The wall support VK is attached to the ceiling support HK2 with a sliding nut SMT or with the anchor rail nut AKM.