

Control, safety and circuit isolation transformers

single-phase

Dimensions

Fig. 1: 40 to 400 VA

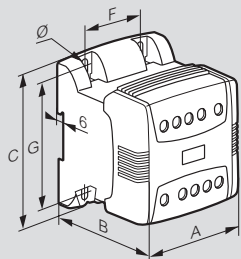


Fig. 2: 630-1000 VA

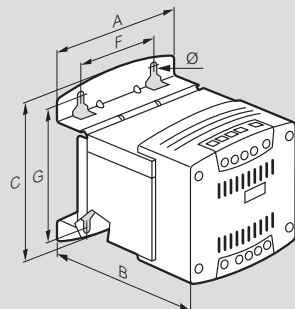


Fig. 3: 1600-2500 VA

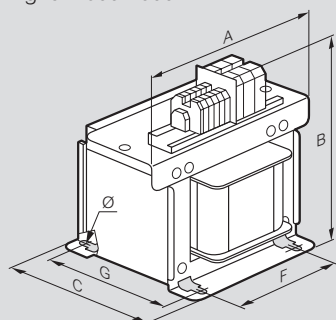
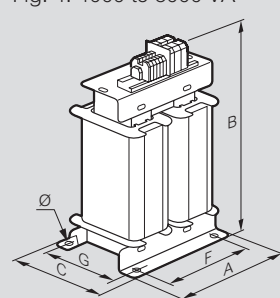


Fig. 4: 4000 to 8000 VA



Cat.Nos	Power (VA)	Fig.	Dimensions (mm)			Fixing ⁽¹⁾			Weight (Kg)
			A	B	C	F	G	Ø	
0 442 01/51	40	1	95	94	113	50	100	5.2	1.45
0 442 02/52	63	1	95	101	113	50	100	5.2	1.75
0 442 03/53	100	1	95	111	113	50	100	5.2	2.15
0 442 04/54	160	1	95	128	113	50	100	5.2	2.35
0 442 05/55	250	1	107	139	115	50	100	5.2	4
0 442 06/56	400	1	121	156	140	62.5	125	5.2	5.8
0 442 11/31/41/61/81	40	1	94	78	113	50	100	5.2	1.23
0 442 12/32/42/62/82	63	1	94	85	113	50	100	5.2	1.56
0 442 13/33/43/63/83	100	1	94	94	113	50	100	5.2	1.95
0 442 14/34/44/64/84	160	1	94	112	113	50	100	5.2	2.6
0 442 15/35/45/65/85	250	1	106	123	115	50	100	5.2	3.82
0 442 16/36/46/66/86	400	1	120	140	140	62.5	125	5.2	5.62
0 442 17/37/47/67/87	630	2	132	155	175	75	150	5.5	8
0 442 18/38/48/68/88	1000	2	150	199	206	100	175	7	14.9
0 442 39/49/69/89	1600	3	220	245	191	150	153	9	25.6
0 442 40/50/70/90	2500	3	300	292	171	200	114	9	33.1
0 442 71/91	4000	4	230	340	205	180	130	11	31
0 442 72	5000	4	240	390	205	180	130	11	40
0 442 73	6300	4	240	390	205	180	130	11	45
0 442 74	8000	4	240	390	280	180	140	11	64

1: Direct fixing possibility on symmetrical rail up to 250 VA

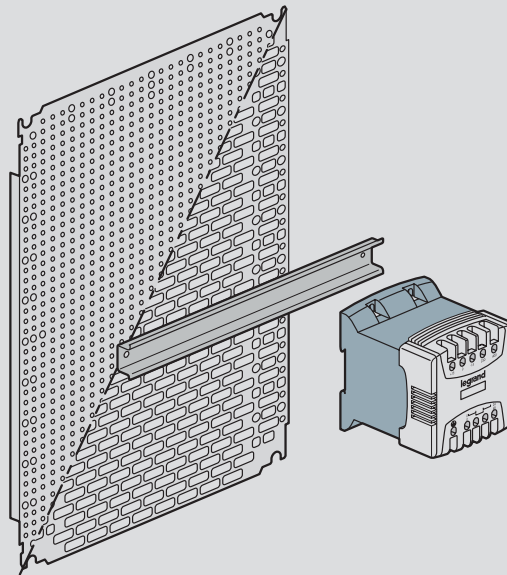
Associated protection

Nominal power (VA) acc. to IEC and CSA	24 V		48 V		115 V		230 V	
	Rating	MCBs Cat.Nos	Rating	MCBs Cat.Nos	Rating	MCBs Cat.Nos	Rating	MCBs Cat.Nos
40	2	T2AL ⁽¹⁾	1	T1AL ⁽¹⁾	0.4	T0.4AL ⁽¹⁾	0.2	T0.2AL ⁽¹⁾
63	3.15	T3.15AL ⁽¹⁾	1.6	T1.6AL ⁽¹⁾	0.63	T0.63AL ⁽¹⁾	0.315	T0.315AL ⁽¹⁾
100	4	4 076 95	2	4 076 93	1	4 076 92	0.5	4 076 91
160	8	4 076 97	4	4 076 95	2	4 076 93	1	4 076 92
250	10	4 076 98	6	4 076 96	2	4 076 93	1	4 076 92
400	16	4 077 00	8	4 076 97	4	4 076 95	2	4 076 93
630	25	4 077 02	13	4 076 99	6	4 076 96	3	4 076 94
1000	40	4 077 04	20	4 077 01	8	4 076 97	4	4 076 95
1600	63	4 077 90	32	4 077 03	13	4 076 99	8	4 076 97
2500	100	4 092 29	50	4 077 89	20	4 077 01	10	4 076 98
4000					32	4 077 03	16	4 077 00
5000					40	4 077 04	20	4 077 01
6300					50	4 077 89	25	4 077 02
8000					63	4 077 90	32	4 077 03

1: Fuse IEC 127 (5x20 T type cartridge fuse) - T: Time - lag fuse - L: Low breaking capacity

Fixing

On perforated plates Lina 25 and on Lina 12.5 plates
On symmetrical rail up to 250 VA
fixing centres pitch 25 mm up to 1000 VA



Attachment at 3 points possible with through oblong on the secondary side

