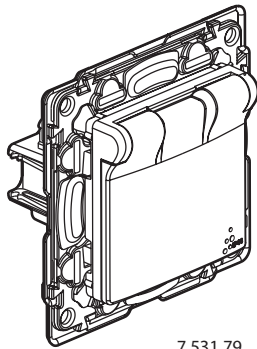
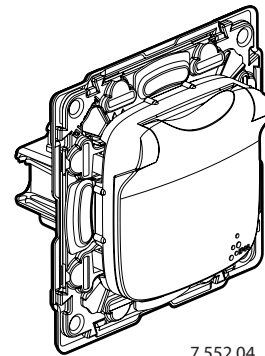


Valena™ Life - Valena™ Allure
IP 44 socket outlets

Cat. No(s): 7 531 19 - 7 531 79 - 7 552 04 - 7 553 04



7 531 79



7 552 04

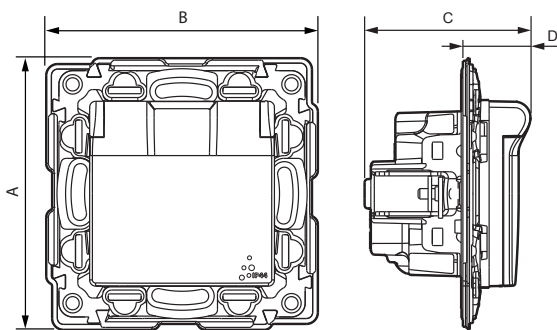
1. USE

Waterproof socket outlets, Franco-Belgian et German standards.
 Mechanisms supplied with support, cover plate, airtight sleeve, site protective cover.
 To be fitted with single module or multi-module plates.
 Mounted on standard plates.

2. RANGE

Description	Valena Life	Valena Allure
2 P+E socket outlets German standard To be equipped with plates.	7 531 19	7 552 04
2 P+E socket outlets Franco-Belgian standard To be equipped with plates.	7 531 79	7 553 04

3. DIMENSIONS (mm)



Cat. No(s)	A	B	C	D
7 531 19	78.5	78.5	48	20
7 531 79	78.5	78.5	45.5	19.5
7 552 04	78.5	78.5	49	21
7 553 04	78.5	78.5	46	20

4. CONNECTION

Automatic terminals
 Capacity: 2 x 2.5 mm²
 Stripping length: 13 mm
 Compatible flexible or rigid cables.

5. TECHNICAL CHARACTERISTICS

■ **5.1 Mechanical characteristics**

Protection against solid bodies and liquids: IP 44
 Protection against impact: IK 04

■ **5.2 Material characteristics**

Colour: White RAL 9003
 Material: - Membrane: PP
 - Flap cover: PP
 - Cover plate (of the socket outlet): PC
 - Halogen free
 - UV resistant

Material of the support: - Polycarbonate grey RAL 7037 + metal
 - Halogen free

Self-extinguishing:
 + 850° C / 30 s for insulating parts holding live parts in place
 + 650° C / 30 s for other parts made of insulating materials.

■ **5.3 Electrical characteristics**

Voltage: 250 V~
 Current: 16 A
 Frequency: 50/60 Hz

■ **5.4 Climatic characteristics**

Storage temperature: - 10° C to + 70° C
 Use temperature: - 5° C to + 35° C

6. MAINTENANCE

Surface cleaning with a cloth.

Do not use: acetone, tar remover, trichloroethylene.

Maintenance with the following products: Hexane (EN 60669-1), Methylated spirit, Soapy water, Diluted ammonia, Bleach diluted to 10%, Window-cleaning products..

Caution: A preliminary test should be carried out if other specific cleaning products are to be used.

7. STANDARDS AND APPROVALS

Compliance with standards of installation and manufacturing.
Refer to e. catalogue.