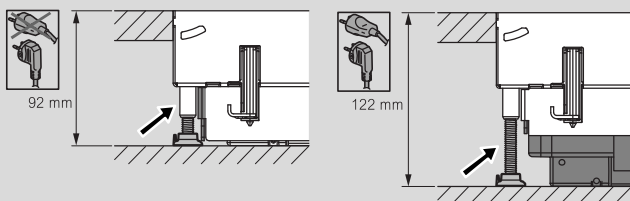
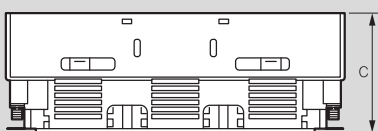
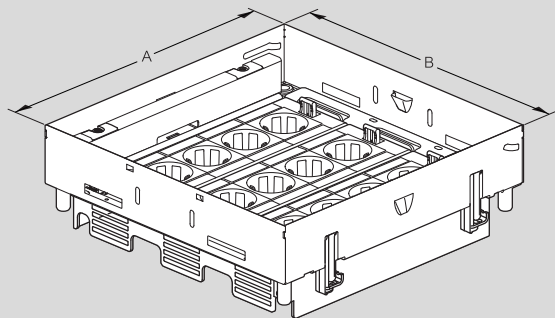


# Flush version floor boxes - sockets in horizontal position

## technical characteristics

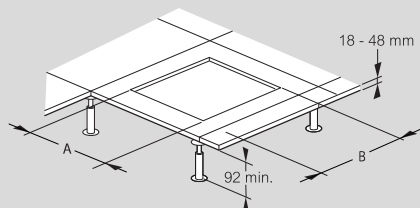
### ■ Dimensions



Cat.No	A (mm)	B (mm)	C (mm)
0 881 20	181	265	92
0 881 21	219		
0 881 22	264		

For heights of more than 122 mm, use feet Cat.No 0 881 42

### ■ For installation in raised floor



Cat.No	A (mm)	B (mm)
0 881 20	182	265
0 881 21	220	
0 881 22	265	

### ■ Installation principle in concrete floor

With auto-adjusting backbox

With universal adjustable backbox

