

DPX³ 160 equipment and mounting accessories



4 210 36

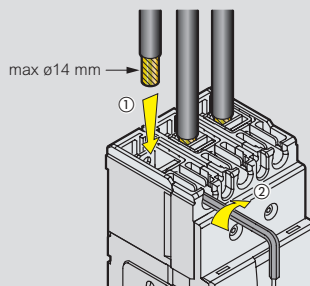
| Pack | Cat.Nos | Connection accessories |
|------|----------|---|
| 1 | 4 210 26 | High capacity cage terminals For Cu/Al cables, 1 x 120 mm ² for flexible cables and 1 x 150 mm ² for rigid cable and 18 mm bars |
| 1 | 4 210 27 | Set of 3 terminals |
| | | Set of 4 terminals |
| | | Cage terminals For Cu cables, 1 x 70 mm ² for flexible cables and 1 x 95 mm ² for rigid cables and 14 mm bars |
| 1 | 4 210 93 | Set of 3 terminals |
| 1 | 4 210 94 | Set of 4 terminals |
| | | Insulated shields (phase barriers) |
| 1 | 4 210 70 | Set of 36 insulated shields |
| | | Screw terminals for bars connection For copper bars |
| 1 | 4 210 28 | Set of 3 terminals |
| 1 | 4 210 29 | Set of 4 terminals |
| | | Spreaders For incoming bars or cable lugs |
| 1 | 4 210 32 | Set of 3 spreaders for DPX ³ 160 3P |
| 1 | 4 210 33 | Set of 4 spreaders for DPX ³ 160 4P |
| | | Sealable terminal shields |
| | | For front terminals |
| 1 | 4 210 54 | For DPX ³ 160 3P |
| 1 | 4 210 55 | For DPX ³ 160 3P |
| | | Fixing plates For fixing DPX ³ 160 on L rail or on plate |
| 1 | 4 210 71 | For DPX ³ 160 3P/4P without earth leakage module |
| 1 | 4 210 73 | For DPX ³ 160 4P with earth leakage module |
| 1 | 4 210 68 | For DPX ³ 160 3P/4P with side mounting motor operator |

DPX³ 160

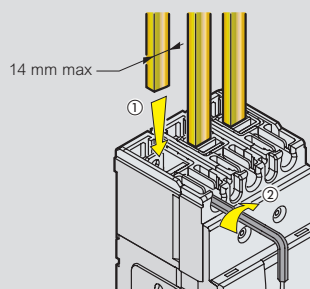
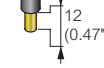
connection

Connection

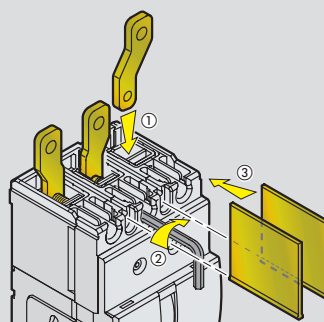
Direct connection



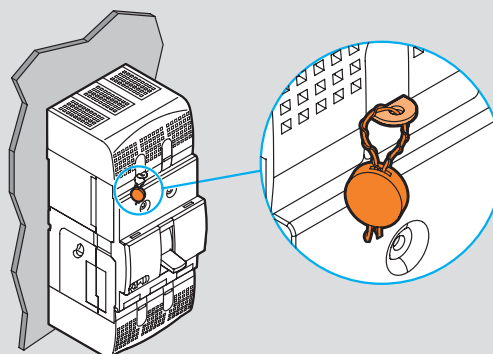
| | |
|-----------------|----------------------|
| Flexible | |
| 1,5 | → 70 mm ² |
| #16 | → #2/0 AWG |
| or | |
| Solid | |
| 1,5 | → 95 mm ² |
| #16 | → #4/0 AWG |



Spreaders



Sealable terminal shield



Dimensions
see e-catalogue

