



Waterproof Performer G3

- Powerful range of waterproof luminaires in specific "sealed for life" design
- Quick installation thanks to its screwless endcap
- Supplied with vandal-proof stainless steel ceiling and suspension clips



Specifications

Item Code	Item Description	Equivalent to (W)	Power (W)	Lumen	Efficacy (lm/W)	CCT (K)	Internal wiring (mm ²)	Weight (kg/pc)
543022019600	LEDWaterproof-P3 L1610-51W-4000-BLE	TL 2x58W	51	7140	140	4000	3x2.5	1,75

DALI2 versions are compatible with central emergency lighting according to EN 50172.
Available on request with 3- or 5- pole Wieland GST18i connector.
Emergency lighting for 75W available on request.

Packaging Information

Item		Box			
Item Code	Item Description	Dimensions (mm) (LxWxH)	Gross Weight (kg)	EAN	pc/box
140063563	LEDSmartlight-Rc-Sensor	100x100x70	0.19	6956321862602	1
140063564	LEDSmartlight-Switch	89x21x101	0.09	6956321862619	1
506005002100	LEDWaterproof-P3-Mounting Kit	290x290x240	7.39	6941408831244	1
506006003100	LEDSmart-Relay-500W	37x110x57	0.10	6956321820824	1
543022019600	LEDWaterproof-P3 L1610-51W-4000-BLE	1652x84x81	2.00	6941408830650	1
560000005700	Smart Connect Box	100x60x105	0.33	6941497711663	1
560000008400	LEDSmartlight-Rc-MW-Sensor	110x110x75	0.19	6941497726995	1
560006000900	LEDSmart-Sensor IP65-Base-Module	140x140x150	0.56	6941497726063	1
560006001000	LEDSmart-Sensor IP65-Module	145x120x150	0.55	6941497726056	1
560098000600	LEDSmart-Sensor Surface-Module-WH	330x220x255	0.15	6941497703972	1



Technical Specifications

Lifetime (L70)	70,000 h
Lifetime (L80)	50,000 h
On-/Off-cycles	100,000
Colour consistency (SDCM)	4
Dimmability	BLE
Beam angle	110 °
Finishing	Grey RAL 7035
Colour rendering index CRI	≥ 80
Degree of protection (IP)	IP65
Impact strength	IK08
Protection class	II
Risk group (EN 62471)	RG0
With control gear	Yes
Glow wire test	850 °C
Driver failure rate (at 5,000 hrs)	0.5 %
Power factor	≥ 0.9
Input wire diameter	1mm ² - 2.5mm ²

Electrical Supply

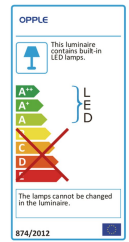
Frequency	50/60 Hz
Nominal voltage	220-240 V AC
DC input voltage	See Appendix 4

Mechanical Properties

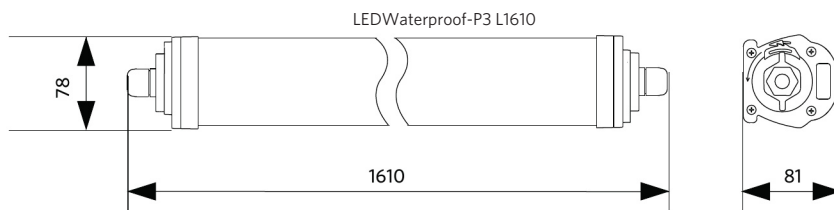
Material housing	Polycarbonate (PC)
UV resistant	Yes
Optical material	Polycarbonate
Mounting clips	Stainless steel

Ambient Conditions

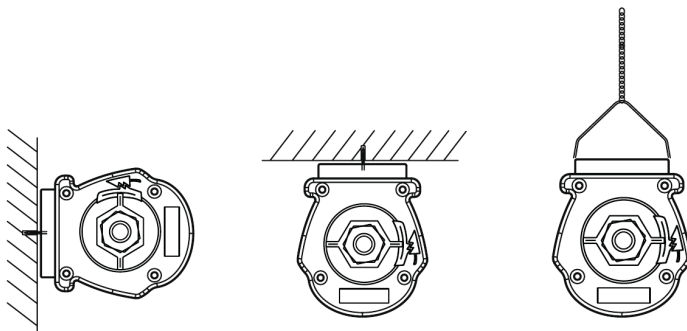
Operating temperature	-25-+45 °C
Application temperature	+25 °C
Storage environment	-25-+50 °C



Dimensional Drawing (mm)



Installation Possibilities



Photometric Data

