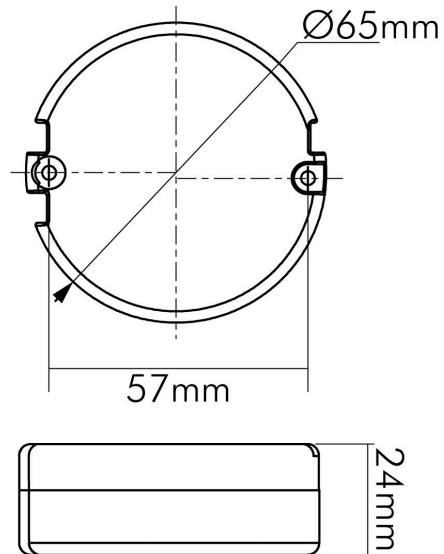


DATA SHEET

EL-8R-350 D dim C

LED Driver with 350mA constant current, dimmable



Article number	8999028350
GTIN	4044538062433

TECHNICAL LIGHTING SPECIFICATIONS

Constant light output (CLO)	no
-----------------------------	----

ELECTRICAL SPECIFICATIONS

Cable length secondary	200 mm
Power	5 - 8 W
Constant current	350 mA
Input frequency	50 - 60 Hz
Power factor [at full load]	0.9
Connection type primary	Terminal block and through-wiring (L, N, PE)
Connection type secondary	AMP plug (female)
Dimmable	yes
Type of dimming	trailing edge
Suitable for DC voltage (primary side)	yes
Suitable for constant voltage	no
Suitable for constant current	yes
Forward voltage drop [DC]	15 - 22 V
Input voltage [AC]	220 - 240 V
Input voltage [DC]	160 - 280 V
Output current [DC]	350 mA
Input current	0.05 A

PROTECTION SPECIFICATIONS



Product warranty does not cover the natural wear and tear due to usage, especially the degradation of the LEDs even when these are already incorporated into the product at the time of delivery. Information on the average service lifetime and light colours are to be used as reference only, these are non-binding and should not be used as ground for quality agreement. Technical and design changes due to product developments are subject to change without prior notice. nobile AG - Wächtersbacher Str. 78 - 60386 Frankfurt/M. Germany - www.nobile.de

State:
26.07.2022
19:31:00

DATA SHEET

EL-8R-350 D dim C

LED Driver with 350mA constant current, dimmable



CE-Conformity	yes
RoHS	yes
SELV	yes
Protection class	II
Degree of protection	IP20
Safety transformer	yes
Short-circuit protected	yes
Protection against short-circuit	yes
Temperature protection shutdown at	100 °C
Filament test according to IEC 60695-2-10	850°
Installation, electrical engineering expertise	yes
Only for indoor use	yes
Suitable for outdoor use	no
Furniture installation, fire protection "MM"	yes
Installation note [flammable materials]	built-in device only for false ceiling
* F-Test mark	yes

TEMPERATURE SPECIFICATIONS

Ambient temperature [Ta]	0 - 40 °C
Case temperature [Tc]	60 °C

DIMENSIONS AND WEIGHT

Diameter	65 mm
Height	24 mm
Weight	110 g

MATERIAL AND COLOUR

Material	polycarbonate
Colour	white

OTHER SPECIFICATIONS

Model	dynamic
Compatible with Apple HomeKit	no
Compatible with Google Assistant	no
Compatible with Amazon Alexa	no
IFTTT support available	no
Kind of disposal at the end of the life time	specific collection points, please consider the local regulations
Independant installation	yes
Application	for LED luminaire/LED modules only



Product warranty does not cover the natural wear and tear due to usage, especially the degradation of the LEDs even when these are already incorporated into the product at the time of delivery. Information on the average service lifetime and light colours are to be used as reference only, these are non-binding and should not be used as ground for quality agreement. Technical and design changes due to product developments are subject to change without prior notice. nobile AG - Wächtersbacher Str. 78 - 60386 Frankfurt/M. Germany - www.nobile.de

State:
26.07.2022
19:31:00